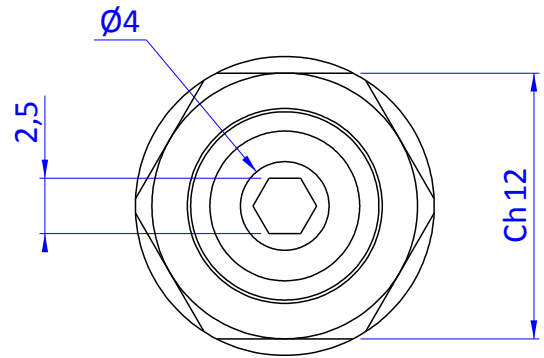
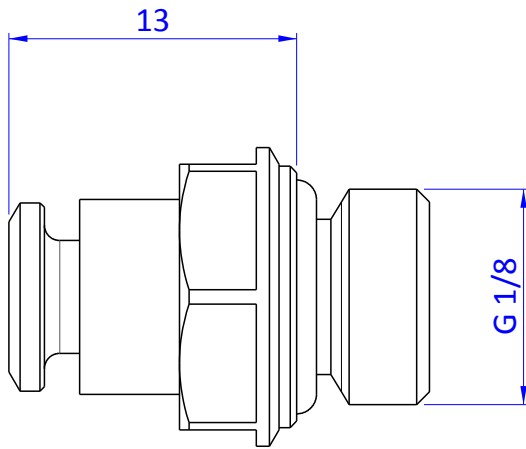
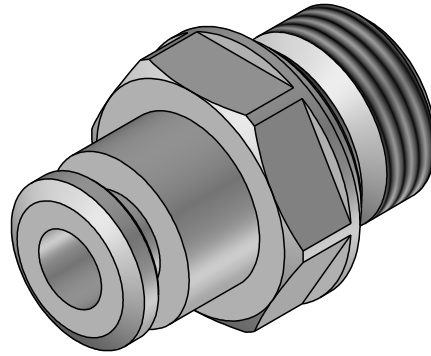

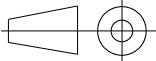


THE PROPERTY OF THE DRAWING IS ESTABLISHED BY LAW. IT IS FORBIDDEN TO PRODUCE OR SHOW IT TO THIRD PART. WITHOUT A WRITTEN AGREEMENT.



Format A4 UNI 936-76				DESIGNED FROM FPS Automation		REVIEW A
				DATE 23/08/2016	WEIGHT 0.010Kg	
	GENERAL TOLERANCE UNI - ISO 2768 CLASSE f	DESCRIPTION CA.12.05.044		CODE CA.12.05.044		